

MEGLI 4000 S

Product Features

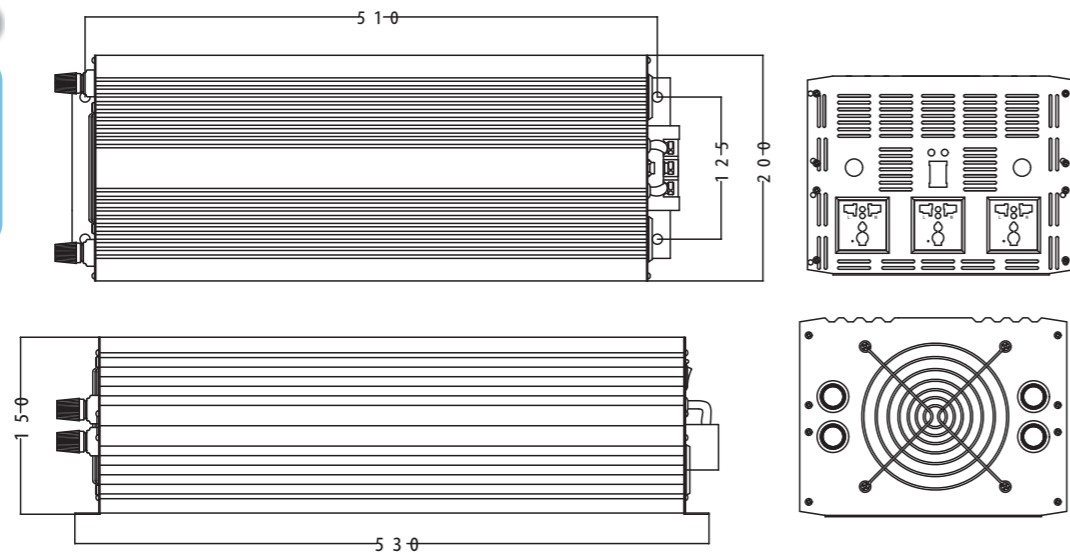
1. Feature with high reliability and low failure rate by using the advanced double CPU single chip intellectual control technology.
2. With pure sine wave output , it can have large load and wide application.
3. With perfect protection (Load Over Protection, Over thermal Protection, short circuit(out put) Protection, overdischarge(input) Protection ,Over-voltage (input) Protection),it will improve the reliability of the product.
4. Samll, light , benefited from adopting the SMD paster technology and CPU controlled centralized.
5. Cooling fan is intellectual controlled, and its working status is controlled by CPU, which , ostly increased its service life and helps to save the power consumption, improve work efficiency and lower the working noise.
6. Low noise, high efficiency.



Quality Certification



Product Appearance



Technical Parameters



Model		MEGL 4000 S
Input	DC Voltage	12V or 24V or 48V or 110V
	DC Voltage Range	10-15VDC or 21-30VDC or 42-60VDC or 100-120VDC
	No Load Current Draw	<1.86A
	Max Efficiency	> 85%
	DC Connection	Cable With Clips Or Car Adaptor
Output	AC Voltage	100/110/120VAC or 220/230/240VAC
	Rated Power	4000W
	Instant Power	8000W
	Wave Form	Pure Sine Wave
	Frequency	50Hz or 60Hz
	AC Regulation	3%
Protection	Low Voltage Alarm	10DC ± 0.5V or 20.5DC ± 1V or 44VDC ± 1V or 100VDC ± 1V
	Low Voltage Shut Down	9.5DC ± 0.5V or 19.5DC ± 1V or 42VDC ± 1V or 96VDC ± 5V
	Over Load	Shut Off Output
	Over Voltage	15.5V or 30.5V or 61.2V or 120V
	Over Thermal	Shut Off Output Automatically
	Fuze	Short Circuit
Environment	Working Temperature	From -10°C to +50°C
	Working Humidity	20% ~ 90%RH Non-cooling
	Storage Temperature	From -30°C to +70°C
Packing	Machine Size(mm)	425 × 217 × 153
	Packing Size(mm)	515 × 300 × 230
	N.W(KG)	10.25
	G.W(KG)	12.4

